

**INSTALLATION INSTRUCTIONS
FOR
FLOOR MOUNT
BRAKE / CLUTCH / THROTTLE
PEDAL ASSEMBLY**

PART NUMBER

340-12410 / 340-12411

**DISC BRAKES SHOULD ONLY BE INSTALLED BY SOMEONE
EXPERIENCED AND COMPETENT IN THE INSTALLATION
AND MAINTENANCE OF DISC BRAKES**

READ ALL WARNINGS

WARNING

IT IS THE RESPONSIBILITY OF THE PERSON INSTALLING ANY BRAKE COMPONENT OR KIT TO DETERMINE THE SUITABILITY OF THE COMPONENT OR KIT FOR THAT PARTICULAR APPLICATION. IF YOU ARE NOT SURE HOW TO SAFELY USE THIS BRAKE COMPONENT OR KIT, YOU SHOULD NOT INSTALL OR USE IT. DO NOT ASSUME ANYTHING. IMPROPERLY INSTALLED OR MAINTAINED BRAKES ARE DANGEROUS. IF YOU ARE NOT SURE, GET HELP OR RETURN THE PRODUCT. YOU MAY OBTAIN ADDITIONAL INFORMATION AND TECHNICAL SUPPORT BY CALLING WILWOOD AT (805) 388-1188, OR VISIT OUR WEB SITE AT WWW.WILWOOD.COM. USE OF WILWOOD TECHNICAL SUPPORT DOES NOT GUARANTEE PROPER INSTALLATION. **YOU**, OR THE PERSON WHO DOES THE INSTALLATION MUST KNOW HOW TO PROPERLY USE THIS PRODUCT. IT IS NOT POSSIBLE OVER THE PHONE TO UNDERSTAND OR FORESEE ALL THE ISSUES THAT MIGHT ARISE IN YOUR INSTALLATION.

RACING EQUIPMENT AND BRAKES MUST BE MAINTAINED AND SHOULD BE CHECKED REGULARLY FOR FATIGUE, DAMAGE, AND WEAR.



Need Additional Information?
Use Your SmartPhone and
Jump to Our Technical Tips
Section on Our Web Site.

wilwood
DISC BRAKES

WARNING

**DO NOT OPERATE ANY VEHICLE ON UNTESTED BRAKES!
SEE MINIMUM TEST PROCEDURE WITHIN**

ALWAYS UTILIZE SAFETY RESTRAINT SYSTEMS AND ALL OTHER AVAILABLE SAFETY EQUIPMENT WHILE OPERATING THE VEHICLE

IMPORTANT • READ THE DISCLAIMER OF WARRANTY INCLUDED IN THE KIT

NOTE: Some cleaners may stain or remove the finish on brake system components. Test the cleaner on a hidden portion of the component before general use.

General Information and Assembly Instructions

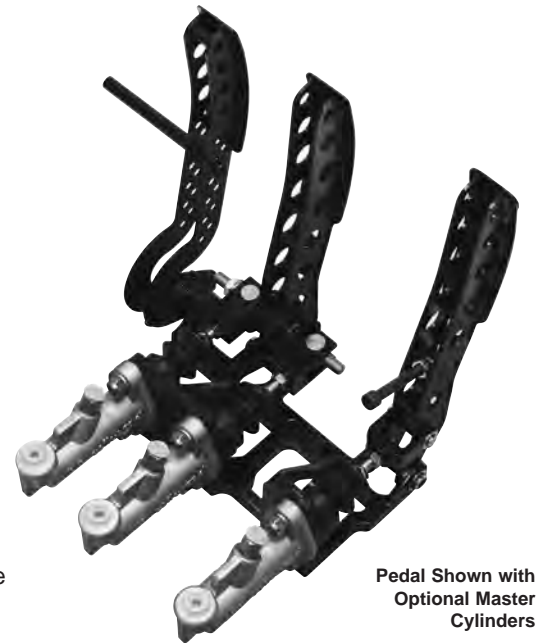
Installation of this component should **ONLY** be performed by persons experienced in the installation and proper operation of disc brake systems. Before assembly begins, familiarize yourself with the following procedure to ensure a trouble-free installation.

Features:

- Three individual pedals to control brake, clutch and throttle.
- Optional throttle linkage (P/N 340-12412) for use with front engine vehicles.
- Lightweight construction.
- High strength computer design.
- Includes brake balance bar and clevis.
- Brake and clutch pedals have 5.25:1 nominal ratio.
- High strength steel master cylinder mounting studs.
- Easy mounting location.
- Wilwood's own black e-coated finish.
- Finest quality hardware.
- Use with Wilwood compact, high volume, or combination master cylinders.

Assembly Instructions:

- This document is applicable to two pedal assemblies, P/N's 340-12410 and 340-12411. Pedal P/N 340-12410 requires the customer to do the final assembly of the throttle pedal to the main assembly. Kit P/N 340-12411 requires using the same procedure as P/N 340-12410 with the additional step of installing the throttle linkage assembly, P/N 340-12412.



Pedal Shown with
Optional Master
Cylinders

Assembly Instructions • Part Number 340-12410 (numbers in parenthesis refer to the parts list and Figure 1 on page 3):

- Install the throttle pedal (1) to the base assembly by sliding shim (4) and the pedal onto the pivot pin. Secure using one .035 thick shim (4), one .015 shim (5), washer (6) and bolt (7) as shown in Figure 1. Temporarily tighten the bolt to 18 ft-lbs. Check that the pedal moves freely without binding. If too tight or too loose, add or subtract shims (5) to obtain the correct pedal movement. After the pedal adjustment is finalized, remove the bolt, apply red *Loctite*[®] 271 to the threads and torque to 18 ft-lbs.
- Screw the throttle pedal stop bolts (9) into nuts (8) and then into the throttle pedal (1), front and rear. **NOTE:** Final adjustment of the stop bolts will be performed after pedal installation in vehicle.
- Screw the clutch stop bolt (10) into nut (11) and into the clutch pedal. **NOTE:** Final adjustment of stop bolt will be performed after pedal installation in vehicle.
- NOTE:** For rear engine installation only. Install the rear throttle pull rod (2) to the throttle pedal (1) using bolt (3).
- Refer to page 5 and Figure 3 for vehicle installation instructions and mounting dimensions.

Assembly Instructions • Part Number 340-12411 (numbers in parenthesis refer to the parts list and Figure 2 on page 4):

- Perform the above procedure for part number 340-12410 and then add the throttle linkage as outlined below.
- Orient the bell crank assembly as shown in Figure 2 and attach to the pedal base using bolts (10). Apply red *Loctite*[®] 271 to the threads and torque to 140 in-lb.
- Assemble the connecting rod. Screw nut (9) onto male bearing end (8) and then screw the female bearing end (7) onto the male end, Figure 2. Do not tighten nut at this time.
- Install female bearing end (7) of the connecting rod into throttle pedal using bolt (11), two spacers (5), and nut (6), as shown in Figure 2.
- Attach the male bearing rod end (8) to the bell crank assembly using bolt (12), three spacers (5), and nut (6) as shown in Figure 2. **NOTE:** The bell crank assembly can be set up for a variety of throttle ratios. Final adjustment of the bell crank and connecting rod to be performed after pedal installation in vehicle.
- Refer to page 5 and Figure 3 for vehicle installation instructions and mounting dimensions.

Assembly Diagram and Parts List • Part Number 340-12410

NOTE
SPECIFIC PARTS MAY VARY FROM DIAGRAM

WARNING
INSTALLATION OF THIS KIT SHOULD **ONLY** BE PERFORMED BY PERSONS EXPERIENCED IN THE INSTALLATION AND PROPER OPERATION OF DISC BRAKE SYSTEMS.

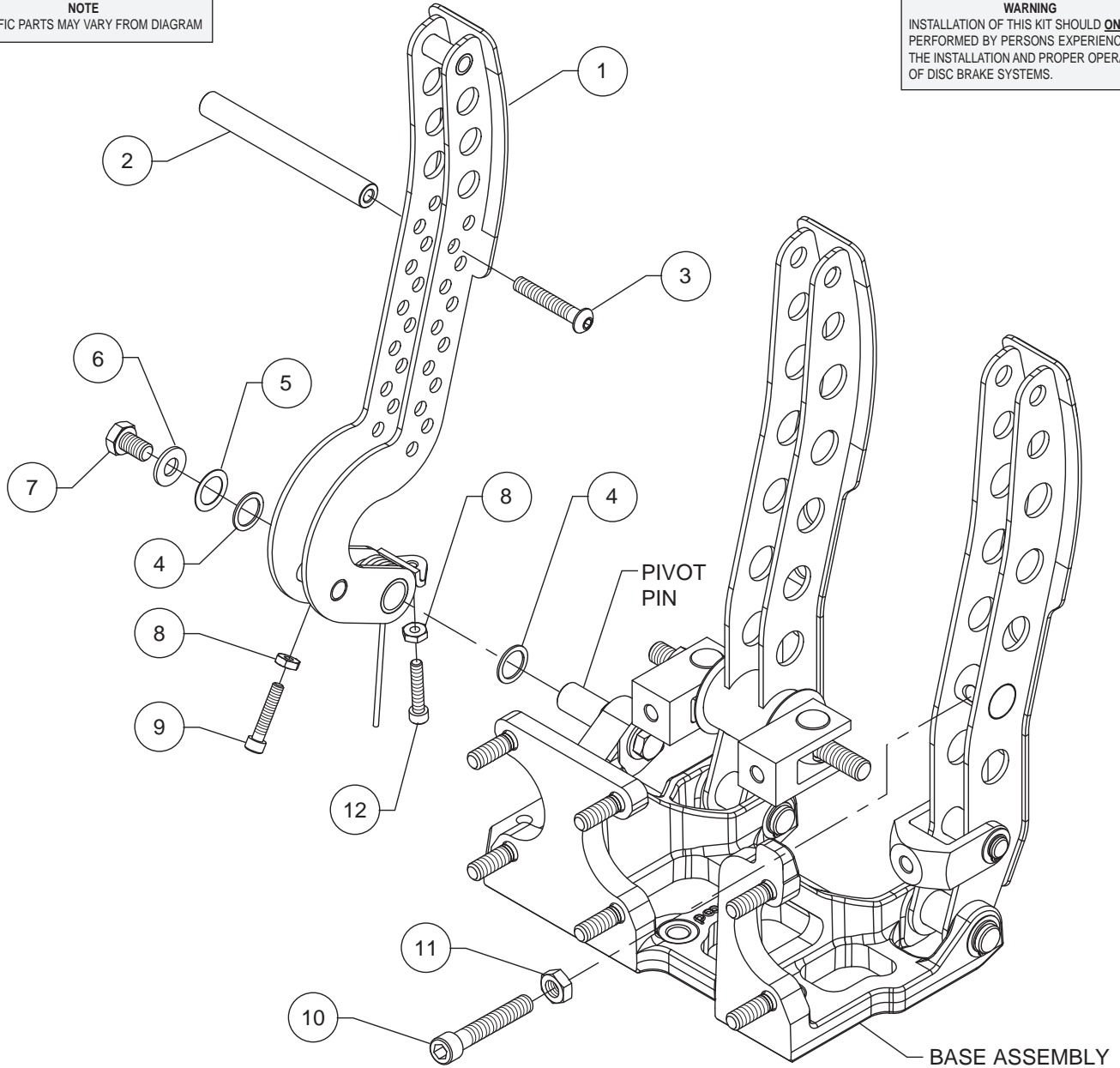


Figure 1. Typical Installation Configuration, For Rear Engine Cars, Part Number 340-12410

| <u>ITEM NO.</u> | <u>PART NO.</u> | <u>DESCRIPTION</u> | <u>QTY</u> |
|-----------------|-----------------|--|------------|
| 1 | 330-12409 | Pedal, Throttle, Floor Mount | 1 |
| 2 | 330-12415 | Pull-Rod, Throttle Pedal | 1 |
| 3 | 230-12454 | Bolt, 1/4-28 x 1.50 Long, Button Head | 1 |
| 4 | 240-5047 | Shim, .035 Thick, Nylon | 2 |
| 5 | 240-1347 | Shim, .015 Thick | 2 |
| 6 | 240-12451 | Washer, .312 I.D. x .730 O.D. x .062 Thick | 1 |
| 7 | 230-12450 | Bolt, 5/16-24 x .50 Long, Hex Head | 1 |
| 8 | 230-12455 | Nut, 10-32, Hex | 2 |
| 9 | 230-12453 | Bolt, 10-32 x 1.00 Long, SHCS | 1 |
| 10 | 230-6317 | Bolt, 5/16-24 x 2.00 Long, SHCS | 1 |
| 11 | 230-1335 | Nut, 5/16-24, Hex | 1 |
| 12 | 230-12452 | Bolt, 10-32 x .75 Long, SHCS | 1 |

Assembly Diagram and Parts List • Part Number 340-12411

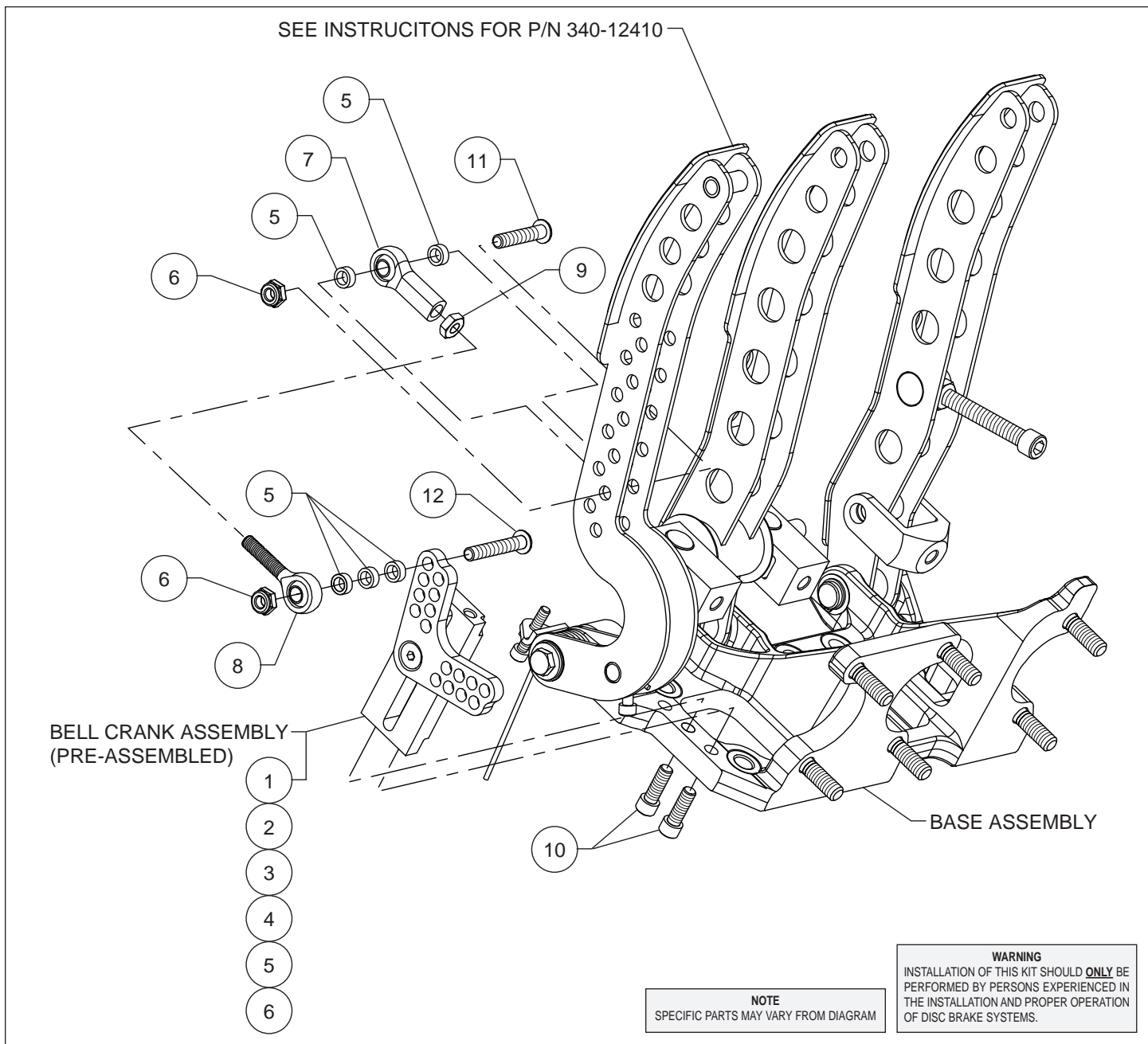


Figure 2. Typical Installation Configuration, For Front Engine Cars, Part Number 340-12411

| ITEM NO. | PART NO. | DESCRIPTION | QTY |
|----------|-----------|---|-----|
| 1 | 330-12417 | Bell Crank, Throttle Linkage | 1 |
| 2 | 330-12416 | Housing, Throttle Linkage Assembly | 1 |
| 3 | 370-12432 | Bearing, .250 I.D. x .688 O.D. x .313 Thick | 1 |
| 4 | 230-12456 | Bolt, 1/4-28 x 1.00 Long, Flat Head | 1 |
| 5 | 300-12418 | Spacer, .257 I.D. x .375 O.D. x .155 Long | 6 |
| 6 | 230-3774 | Nut, 1/4-28, Hex | 3 |
| 7 | 370-12439 | Bearing, Rod End, Female | 1 |
| 8 | 370-12438 | Bearing, Rod End, Male | 1 |
| 9 | 230-12457 | Nut, 1/4-28, Hex | 1 |
| 10 | 230-0743 | Bolt, 1/4-20 x .75 Long, SHCS | 2 |
| 11 | 230-12584 | Bolt, 1/4-28 x 1.25 Long, Button Head | 1 |
| 12 | 230-12454 | Bolt, 1/4-28 x 1.50 Long, Button Head | 1 |

Assembly Instructions (Continued)

- Mount the final pedal assembly to the floor using six .33 (8,4) through holes as shown in Figure 3. Attach the pedal assembly to sturdy beams or plates with six 5/16 inch bolts. Pedal assembly must be rigidly attached to frame and not deflect under heavy pedal forces. **NOTE:** Pedals must be free from obstructions over their entire range of motion. Allow enough space so balance bar adjustments can be made and master cylinders are accessible.

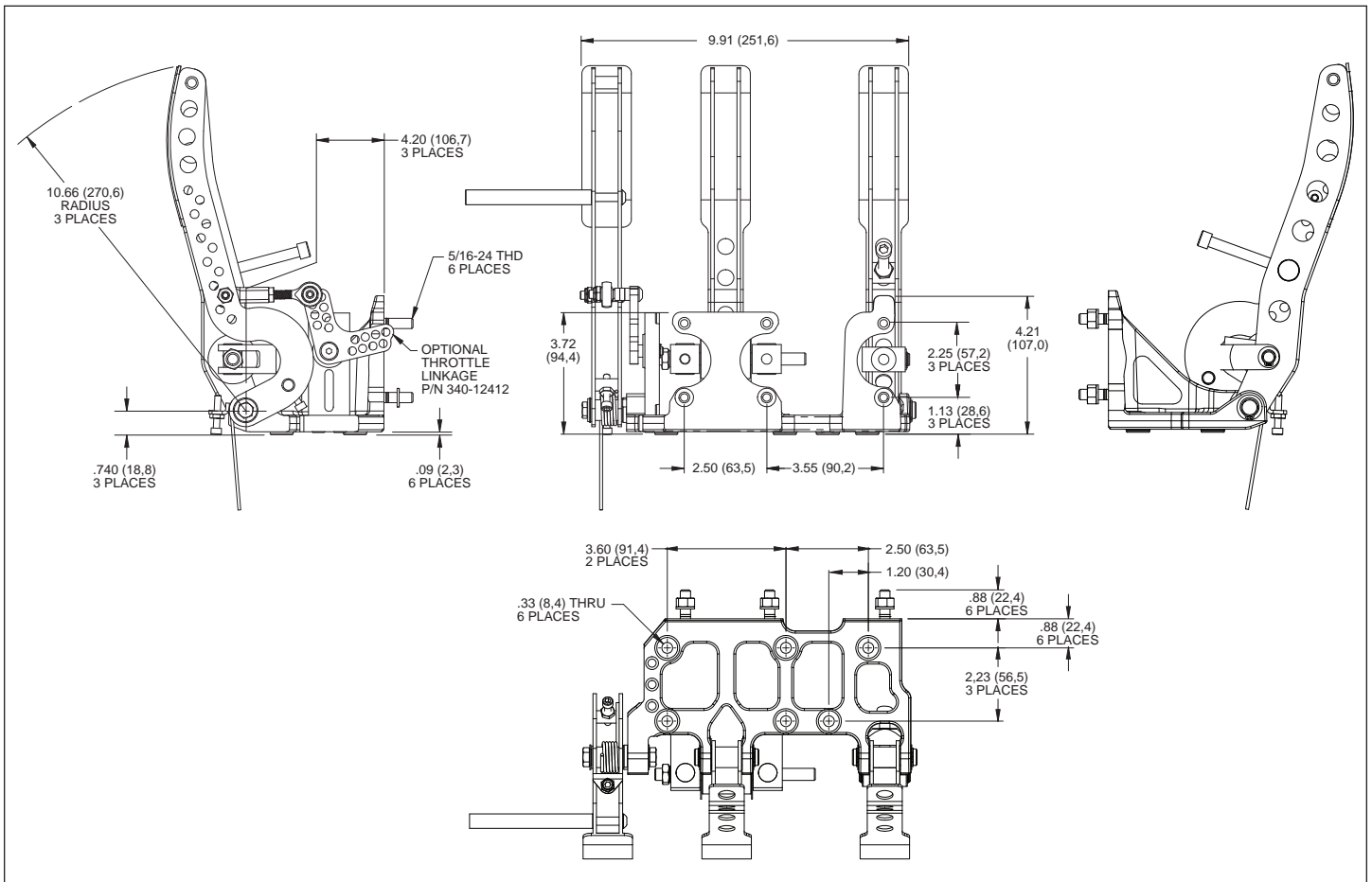


Figure 3. Floor Mount Triple Pedal Assembly, Physical Dimensions (shown with optional throttle assembly)

Adjustments:

- Throttle pedal apply and return limits can be adjusted via the bottom front (as it sits in the vehicle) and bottom rear stop screws on the pedal. Adjust screws to achieve desired pedal position and lock in place with nuts.
- Clutch pedal position adjustment is made by turning the pushrod in and out of the clevis. The hard stop can be adjusted to limit the clutch pedal travel, if desired, and locked in place with the nut.
- Brake pedal position is adjusted via the pushrods in the balance bar clevises. Refer to our data sheet DS-252 (available at www.wilwood.com/PDF/DataSheets/ds252.pdf) for proper balance bar adjustment procedure.
- The optional throttle linkage may be set up and adjusted to accommodate most any application. After setting the pedal stops, remove the connecting rod from the bell crank and turn the rod end in or out to adjust its length, and lock in position with nut. Reconnect the rod end to the bell crank in the desired hole location. Connect the throttle cable end (customer supplied) to the desired hole location in the other half of the bell crank.
- Attaching the connecting rod and throttle cable end to equal opposing holes on the bell crank will not affect the throttle pedal ratio. Moving the cable end closer to the bell crank pivot will increase the effective pedal ratio and decrease the available cable travel. Moving the connecting rod closer to the pivot will have the opposite effect.

Additional Information and Recommendations

Additional Information and Recommendations:

- The pedal assembly uses standard racing master cylinder mounting patterns. Wilwood's compact, high volume, and combination remote master cylinders mount directly to the pedal assembly, as do most other high performance master cylinders. All master cylinder mounting hardware is included with the pedal assembly. Master cylinder flange should mount flush to pedal assembly and be held in place with enclosed washers and locknuts. The clevis on brake and clutch pedal has a 5/16-24 thread. Make sure to use a jam nut on the master cylinder pushrod when threaded into clevis and check that pushrod is allowed to fully retract when pedal is released.
- Wilwood Hi-Temp° 570 Racing Brake Fluid (6 pack P/N 290-2210) is recommended for race cars and high performance vehicles where brake temperatures exceed normal operating conditions, or use Wilwood EXT 600 Plus Super Hi-Temp (6 pack P/N 290-8478) for extreme conditions. **NOTE: Silicone DOT 5 brake fluid is NOT recommended for racing or performance driving.**
- Adjust the balance bar so that the appropriate front to rear brake balance is achieved, reference our data sheet DS-252 (available at www.wilwood.com/PDF/DataSheets/ds252.pdf).
- If after following the instructions, you still have difficulty in assembling your Wilwood floor mount triple pedal assembly, consult your local chassis builder, or retailer where the component was purchased for further assistance.

Brake Testing and Pad Bedding

WARNING • DO NOT DRIVE ON UNTESTED BRAKES BRAKES MUST BE TESTED AFTER INSTALLATION OR MAINTENANCE MINIMUM TEST PROCEDURE

- Make sure pedal is firm: Hold firm pressure on pedal for several minutes, it should remain in position without sinking. If pedal sinks toward floor, check system for fluid leaks. DO NOT drive vehicle if pedal does not stay firm or can be pushed to the floor with normal pressure.
- At very low speed (2-5 mph) apply brakes hard several times while turning steering from full left to full right, repeat several times. Remove the wheels and check that components are not touching, rubbing, or leaking.
- Carefully examine all brake components, brake lines, and fittings for leaks and interference.
- Make sure there is no interference with wheels or suspension components.
- Drive vehicle at low speed (15-20 mph) making moderate and hard stops. Brakes should feel normal and positive. Again check for leaks and interference.
- Always test vehicle in a safe place where there is no danger to (or from) other people or vehicles.
- Always wear seat belts and make use of all safety equipment.

PAD BEDDING STEPS:

Once the brake system has been tested and determined safe to operate the vehicle, follow these steps for bedding of all pad materials and rotors. This procedure should be performed on a race track or other safe location where you can safely and legally obtain speeds up to 65 MPH while also being able to rapidly decelerate.

- Proceed with a series of 8-10 hard stops from 55-65 MPH down to 25 MPH allowing 20-30 seconds of cool down time between each stop.
- Drive at a moderate cruising speed, with the least amount of brake contact possible, until most of the heat has dissipated from the brakes. Avoid sitting stopped with the brake pedal depressed to hold the car in place during this time. Park the vehicle and allow the brakes to cool to ambient air temperature.