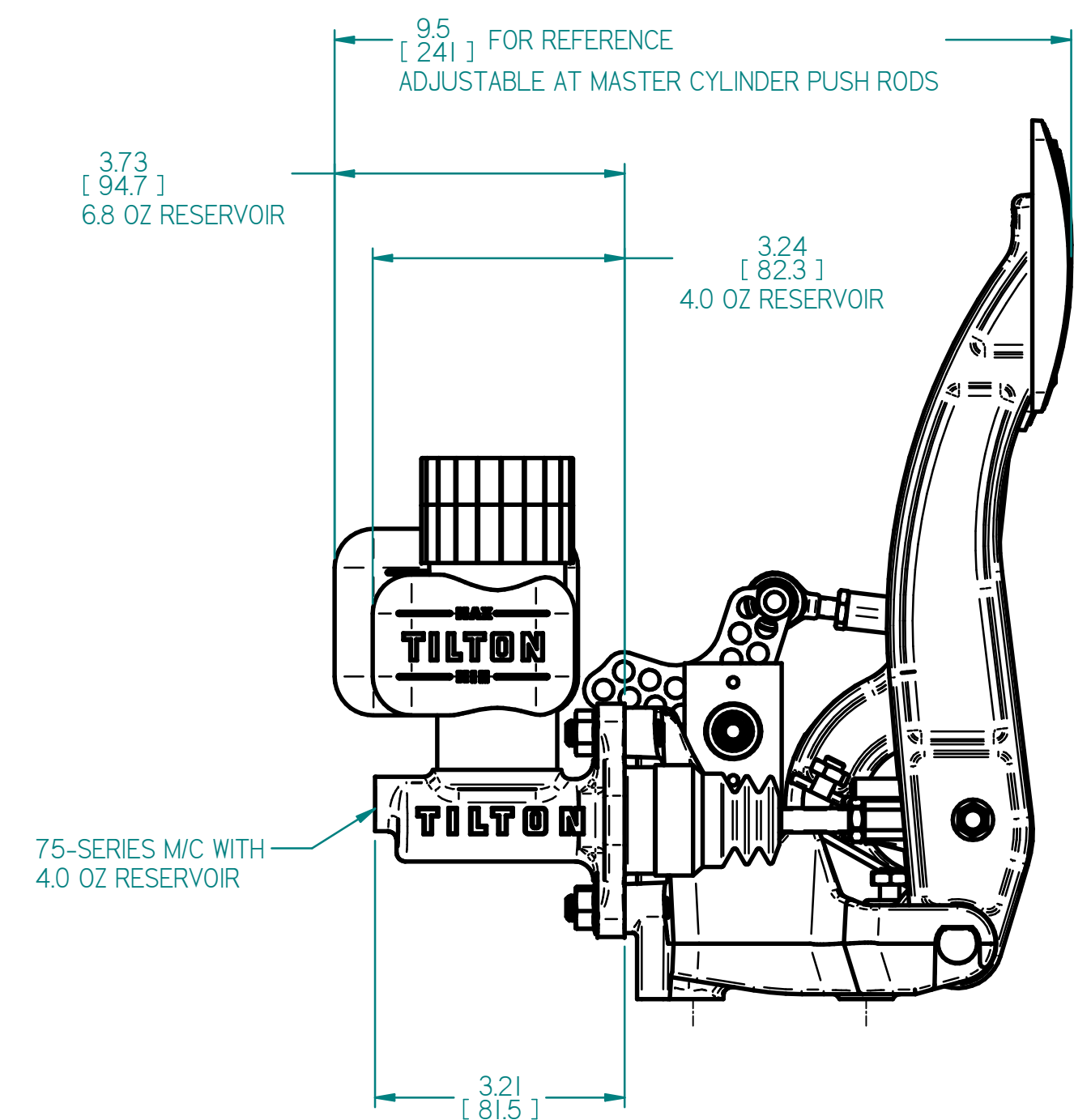
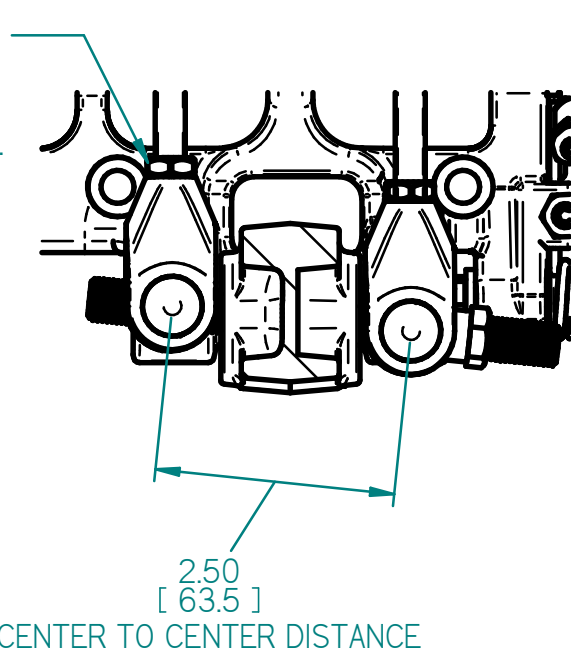
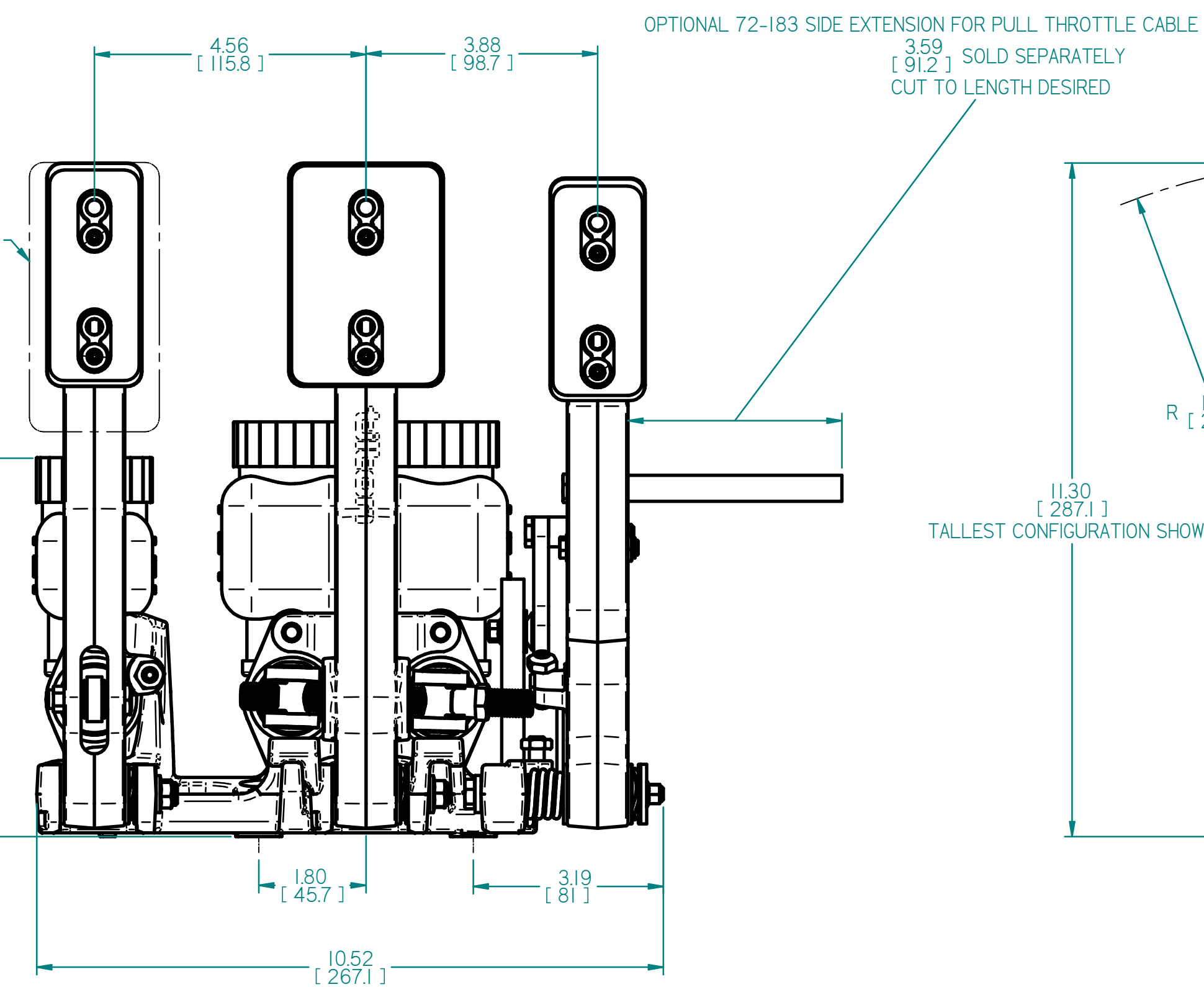


TORQUE PUSHROD
JAM NUTS TO 144 LB-IN
DO NOT USE THREAD
LOCKING COMPOUND, 3 PL.



ALL PEDALS:
75 (19.1mm) TOTAL HEIGHT ADJ., 4 POS.
58 (14.7mm) TOTAL HORIZONTAL ADJ., 3 POS.

75 SERIES M/C SHOWN
635 [161.3] 5/8 TO 3/4 BORE SIZES
645 [163.8] 13/16 TO 1 1/16 BORE SIZES
4.0 OZ RESERVOIR

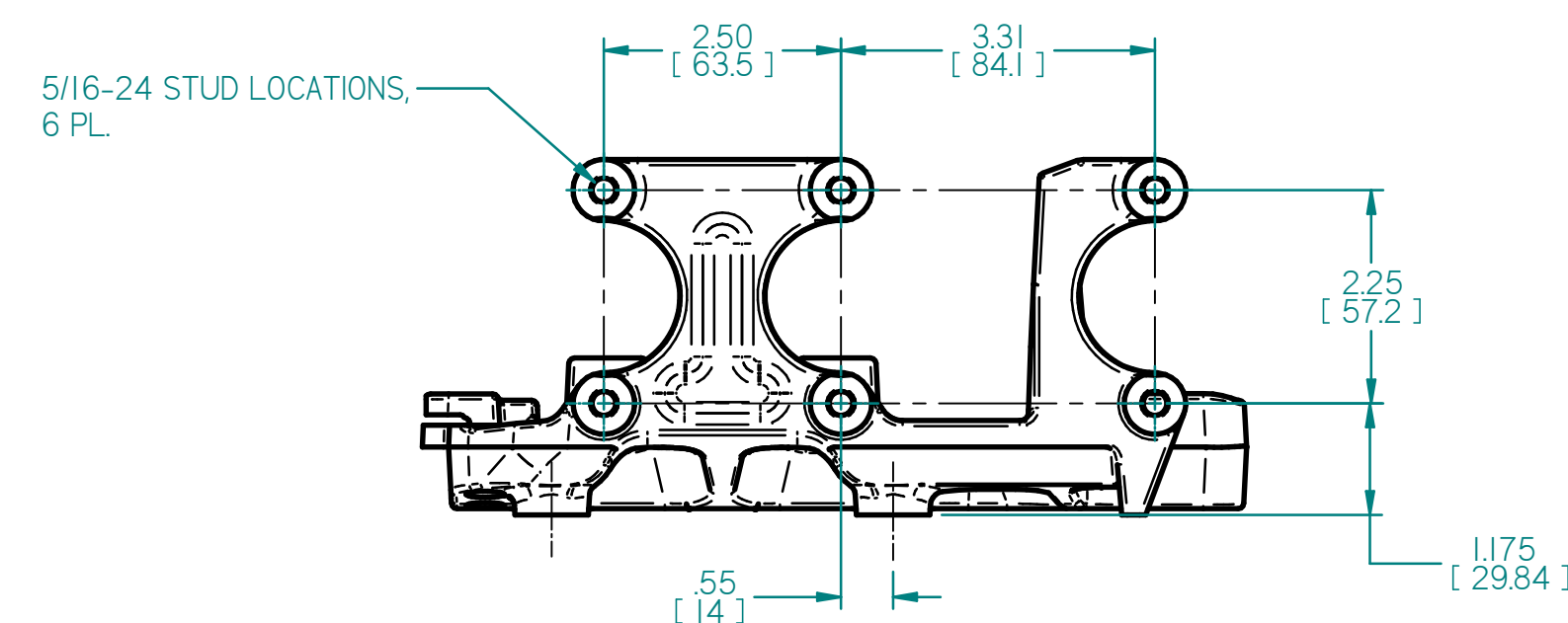


P/N 72-791, OPTIONAL THROTTLE
LINKAGE ASSEMBLY SOLD SEPARATELY
P/N 72-792 FOR DRIVE BY WIRE SENSOR READY LINKAGE

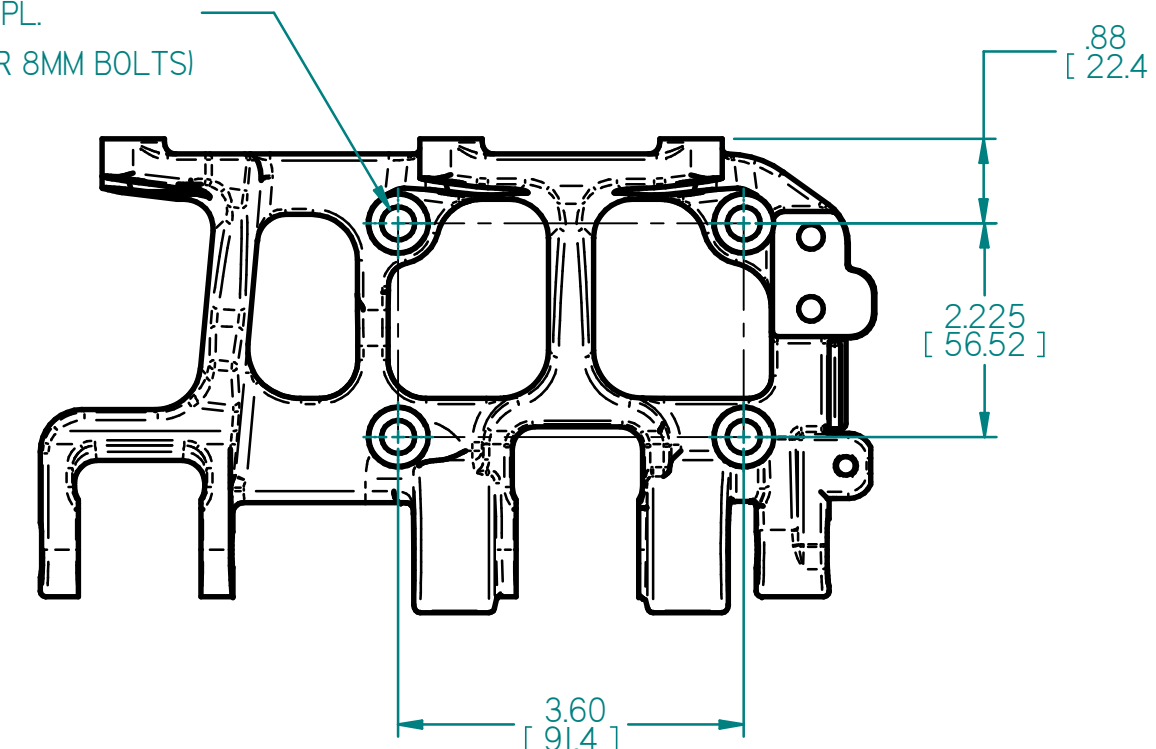
75 SERIES M/C SHOWN
695 [176.5] 5/8 TO 3/4 BORE SIZES
705 [179.1] 13/16 TO 1 1/16 BORE SIZES
6.8 OZ RESERVOIR

75-SERIES M/C WITH
6.8 OZ RESERVOIR, 2 PL.

TORQUE M/C RETAINING
NUTS TO 19 LB.-FT.
DO NOT USE THREAD
LOCKING COMPOUND



Ø 34 [8.8] 4 PL.
USE 5/16 OR 8MM BOLTS!



NOTES:

1. DIMENSIONS AND TOLERANCES PER ASME Y14.5 - 2009
2. UNLESS OTHERWISE SPECIFIED, ALL DIMENSIONS ARE IN INCHES [MM].

TILTON ENGINEERING, INC.		(805) 688-2353 FAX (805) 688-2745	
25 EASY STREET P.O. BOX 1787		BUELLTON, CALIFORNIA 93427 USA	
TITLE: PEDAL ASSEMBLY, 600-SERIES FLOOR MOUNT, 3 PEDAL, ALUMINUM (INSTALLATION DRAWING)			
DRN BY REED	CHKD WAHL	SCALE 1: 1	DWG 5205
P/N 72-603	DATE 04/08/10	SHEET 1 OF 1	REV A